



FILTERANLAGEN NACH MASS

For oil, water, emulsion and other liquid media

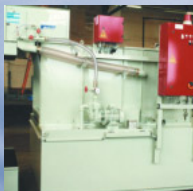


Filter medium usage minimal



Dry filter cake removal

Precise separation between clean and dirty chamber through travelling tubing seal



Round bed filter

Endless belt execution

RBE

The RBE series POLO round bed filters clean liquids, especially emulsion and oil used in the metalworking industry, completely automatically.

Design

The filter container is welded. Drive- and reversing-shaft guide a metallic band which carries the filter medium (plastic). The chain running above the endless belt, fitted with transversely-arranged catcher-plates, makes sure of a problem-free disposal of the filter-cake. A long dryer section enables the filter cake to drain thus leaving only a limited residual moisture content. Advance is controlled by means of a geared motor through a floating switch which depends on the level of contaminant. The standard version is fabricated in steel. A version is also available for contact with the medium in stainless steel material.

Individual problems solved



Round bed filter RBE

Functions

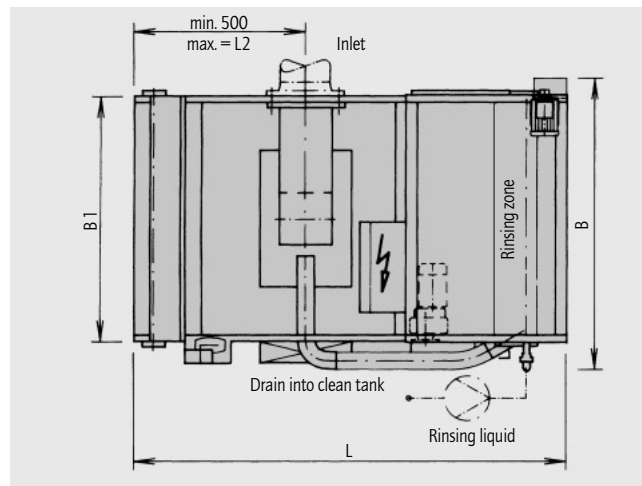
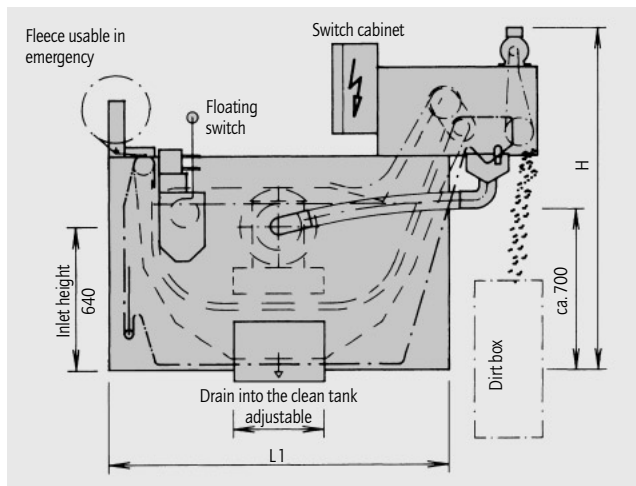
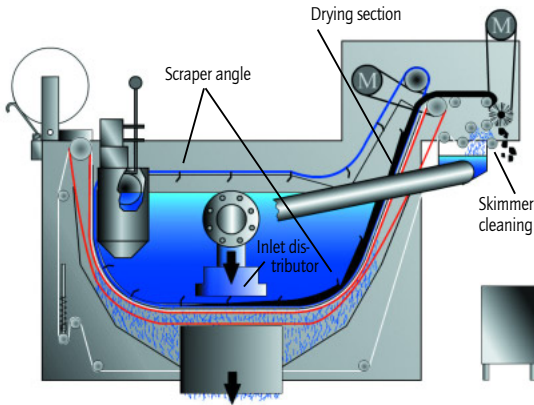
The contaminated liquid flows over a feed distributor, designed to avoid turbulence, into the filter bed.

The deep shape of the filter bed permits a substantial depth of liquid and thus a high level of throughput in relation ship to the surface area covered. Dirt particles are deposited on the endless belt, and form a high-quality filter-layer thus improving the level of filtration.

The depth climbs to a preset level where the belt timing is triggered, and in parallel to this, the endless belt cleaning is started.

The clean tank is arranged underneath the filter, and the cleaned liquid is normally transferred back by means of a pump.

- A mechanical device separates the built-up filter cake from the belt, and deposits it in the residues chamber underneath.
- A separate pump uses rinsing jets with cleaned liquid to remove the remaining contaminant. This rinsing liquid is trapped and directed to the contaminated side of the filter.
- A tubing seal reliably divides the contaminated chamber from the clean side of the filter.
- The POLO round bed filter RBE is a filter system used in different ways. In addition, or as an alternative, the system can be used with fabric filter, e.g. in case of foreign oil contamination.



Filter-Type	RBE-A0.5	RBE-A0.8	RBE-A1.2	RBE-B1.1	RBE-B1.6	RBE-B2.0	RBE-B2.6	RBE-B3.1	RBE-C4.1	RBE-C4.9
L	1400	1900	2400	1400	1900	2400	2900	3400	2910	3510
B	700	700	700	1250	1250	1250	1250	1250	1930	1930
H	1530	1530	1530	1530	1530	1530	1530	1530	1570	1570
L1	1000	1500	2000	1000	1500	2000	2500	3000	2400	3000
L2	500	750	1000	500	750	1000	1250	1500	1500	1500
B1	561	561	561	1086	1086	1086	1086	1086	1586	1586
Weight approx.	280 kg	320 kg	360 kg	560 kg	650 kg	740 kg	830 kg	920 kg	1320 kg	1470 kg
Flowrate max.	220 l/min.	420 l/min.	640 l/min.	550 l/min.	825 l/min.	1100 l/min.	1375 l/min.	1650 l/min.	2180 l/min.	2600 l/min.
Accessories dirt box	L = 250, B = 600, H = 500			L = 300, B = 1000, H = 700			L = 300, B = 1600, H = 700			

Subject to technical alterations.



POLO Filter-Technik Bremen GmbH
 FILTERANLAGEN NACH MASS
 For oil, water, emulsion
 and other liquid media

In den Ellern 6 | 28832 Achim
 Telefon 0421 23802-0 | Fax 23802-99
 info@polo-filter.com | www.polo-filter.com